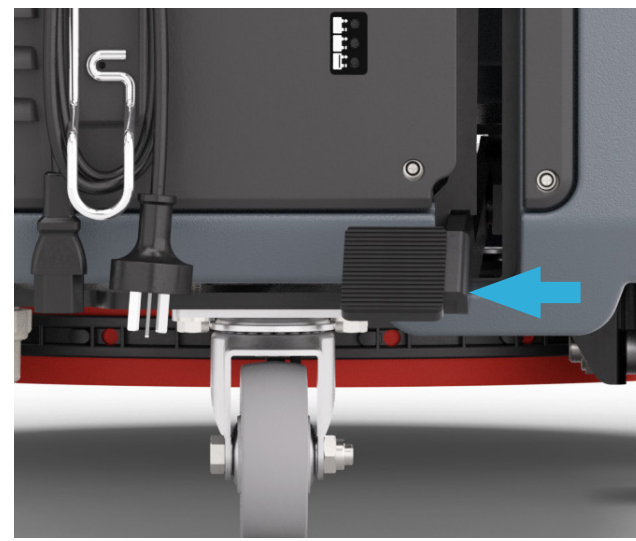


SC370 – Use and Maintenance

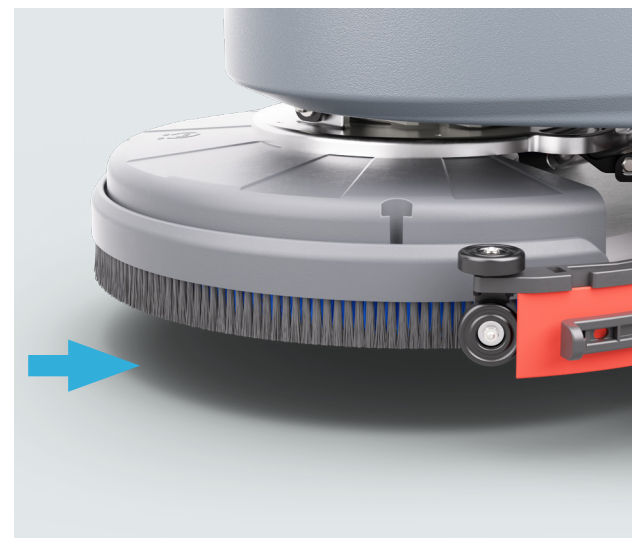
ATTENTION! Do not use the machine before you have read and understood the User Manual



1. Turn on the machine and verify there is enough battery power to complete the work. Charge batteries if required.



2. Lift the deck by pressing the pedal.



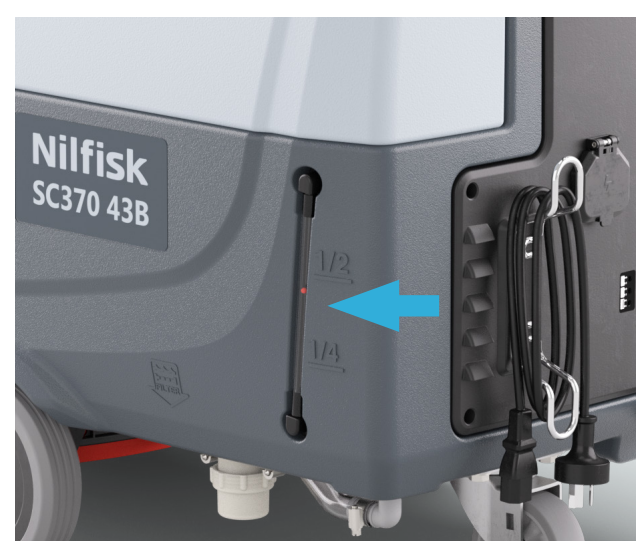
3. Place the brush or the pad-holder under the deck and lower the deck or the brush/padholder by pressing the pedal.



4. With the machine on, press one of the safety switches to engage the brush/pad-holder, then release it. If necessary, repeat the procedure until the brushes/pad-holder is engaged. The squeegee is raised and lowered with the deck.



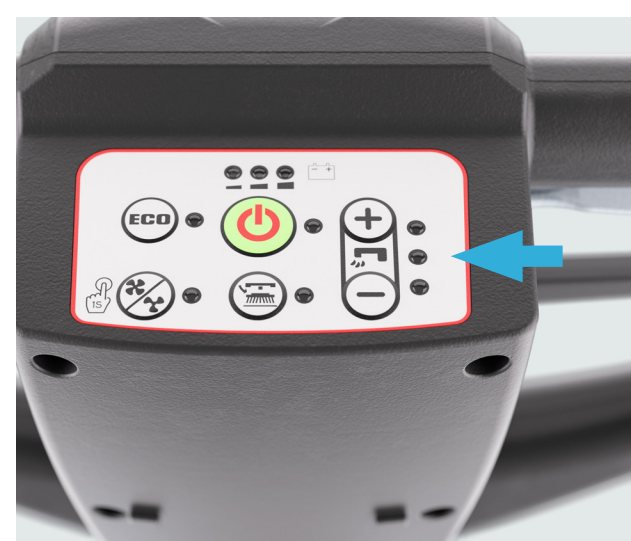
5. Remove the blue cover, fill the tank with clean water and use maximum temperature 40 degree. Add appropriate low foaming detergent according to dosage information.



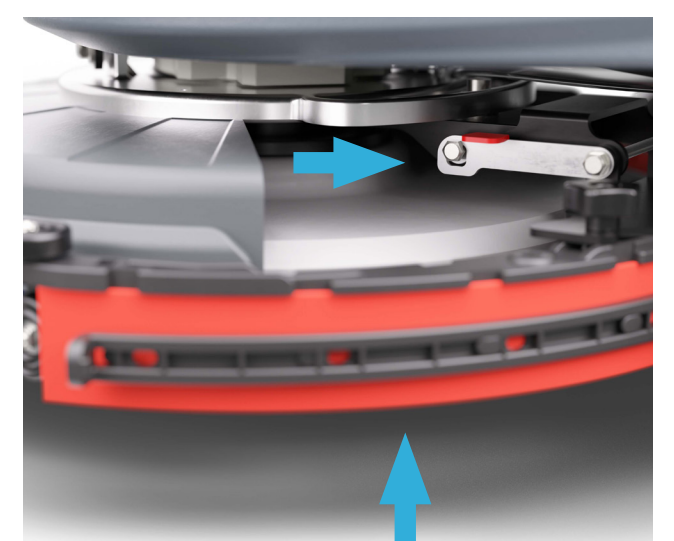
6. Check the solution level by the red ball on the left side of the machine.



7. Adjust handle to fit different operators' height and then start cleaning by placing the hands on the safety switches



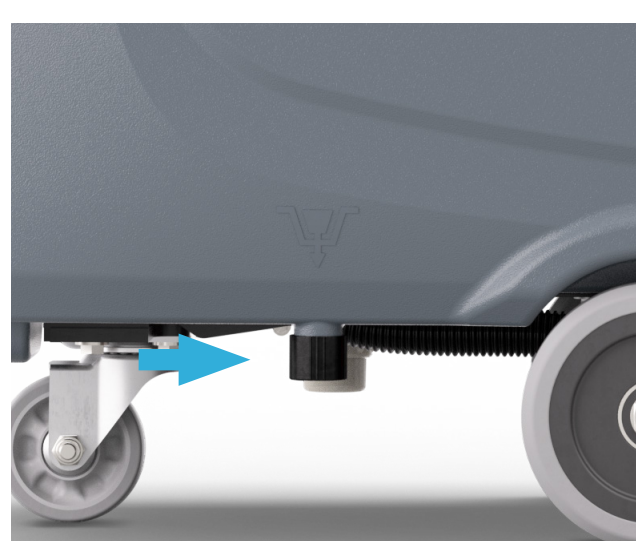
8. Press the + or - buttons to increase / decrease the solution flow rate.



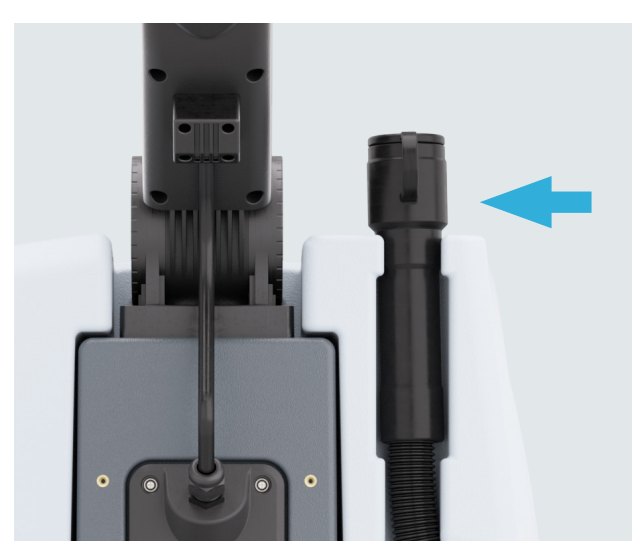
9. Lift the squeegee up by hand until it locks in up position and turn suction off for double scrubbing. To go back to working mode, use the red lever to release the squeegee. and turn suction on again.



10. When scrubbing is complete, turn off the machine to perform the following maintenance



11. Daily: Empty the clean water tank using the solution tank drain knob under the machine.



12. Daily: Empty the recovery tank using the recovery empty hose. Bend the soft part before removing the cap to control the flow.



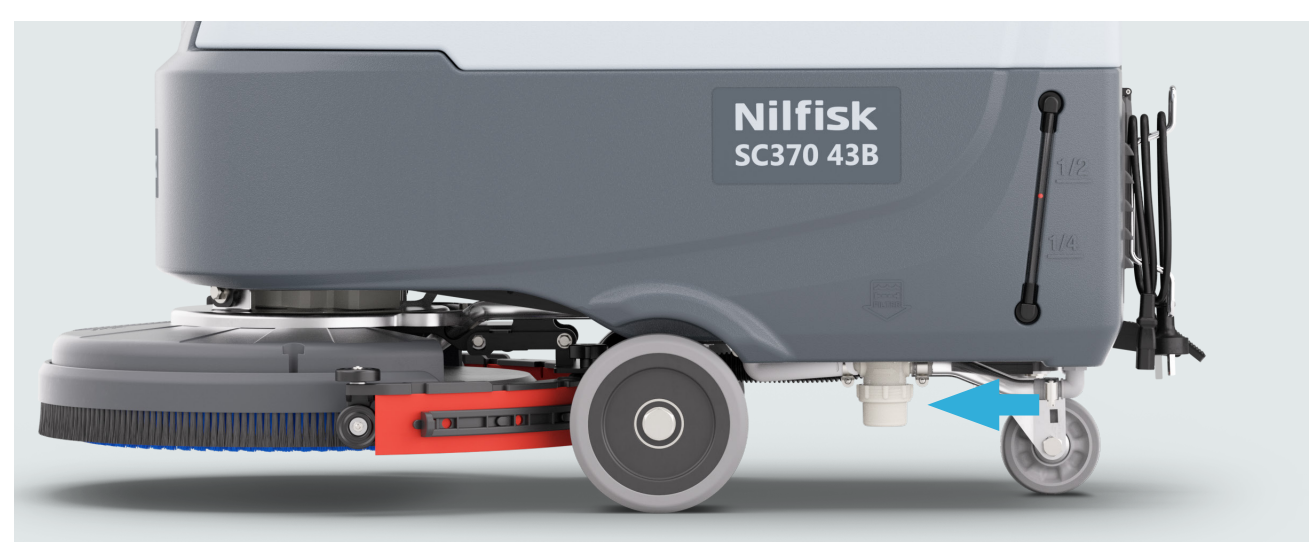
13. Daily: Inspect and rinse the float ball cage and inspect and clean the lid gasket if required.



14. Daily: Remove the squeegee, and clean. Inspect the blades and flip them or replace them if required.



15. Daily: With the machine turned on and the deck lifted, press the click off button to release the brush/ pad holder then clean and inspect before next use.



16. Weekly: Inspect the solution filter and clean if required.



17. Daily: Leave the recovery tank lid open to let the tank dry after it's been cleaned to avoid bad odor.



18. Daily: Charge the batteries: Connect the battery charger cable to the electrical socket. Light turns red when charging and green when the charging is complete.

If the machine has been used until the Red light illuminates on the battery level indicator on the machine, a full recharge of the batteries (10-12 hours) will be required. Failure to carry out this this procedure may cause damage to the batteries. Charging the batteries after every use is recommended.

PLEASE ENSURE RED SOCKET IS LEFT DISCONNECTED AFTER RECHARGE IF THE MACHINE IS NOT TO BE USED ON A DAILY BASIS